



## JenLas<sup>®</sup> D2.8

### Diode-Pumped Thin-Disk Laser - Frequency-Doubled



#### Features:

- OEM design for easy integration
- High beam quality
- Small dimensions

#### Technology:

- Thin-disk laser
- Diode pumping
- Frequency doubling
- cw operation
- Peltier cooling (TEC), system contains no water

#### Applications:

- Medical engineering
- Show applications
- Display engineering
- Pumping of solid-state lasers
- Light exposure of plastic materials
- Substitution of Argon lasers

# JenLas® D2.8

## Diode-Pumped Thin-Disk Laser - Frequency-Doubled

### Specifications

Parameters	
Laser	Thin-disk laser, diode-pumped
Laser class	4 (according to EN 60825-1:2001)
Wavelength	532 nm
Ambient temperature	5 °C ... 40 °C

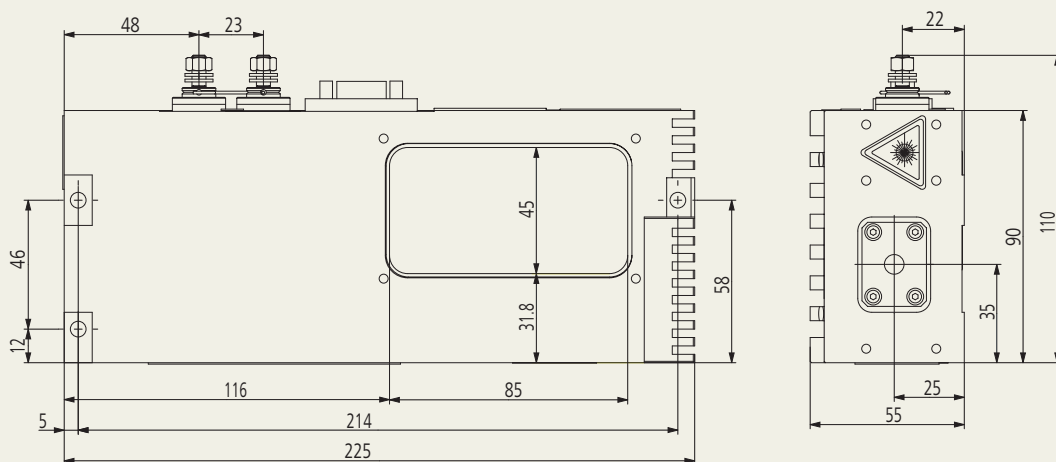
cw operation	
Output power	8 W
M <sup>2</sup> (typical)	~ 7 (coupling into fiber with 100 µm core possible)
Pulse duration, switchable via diode laser current	~ 1 ms to cw (amplitude modulation up to 20 kHz possible)
Beam diameter	< 2 mm
Ellipticity	< 1:1.5

Electrical specifications	
Electrical input data	2 V, typically 32 A (at diode laser)
Input power	≤ 80 VA

Mechanical specifications	
Dimensions (W x H x L)	110 mm x 55 mm x 225 mm
Weight	2.6 kg

For the operation of the laser, a suitable power supply must be used that complies with the regulations relevant to the respective application. Please contact us for further technical details.

#### Laser head



It is our policy to constantly improve the design and specifications. Accordingly, the details represented herein cannot be regarded as final and binding.



JENOPTIK | Lasers & Material Processing

JENOPTIK Laser GmbH

Goeschitzer Strasse 29 | 07745 Jena | Germany

Phone: +49 3641 65-3053 | Fax: +49 3641 65-4011

E-mail: sales-laser.lm@jenoptik.com | www.jenoptik.com/solidstatelasers

